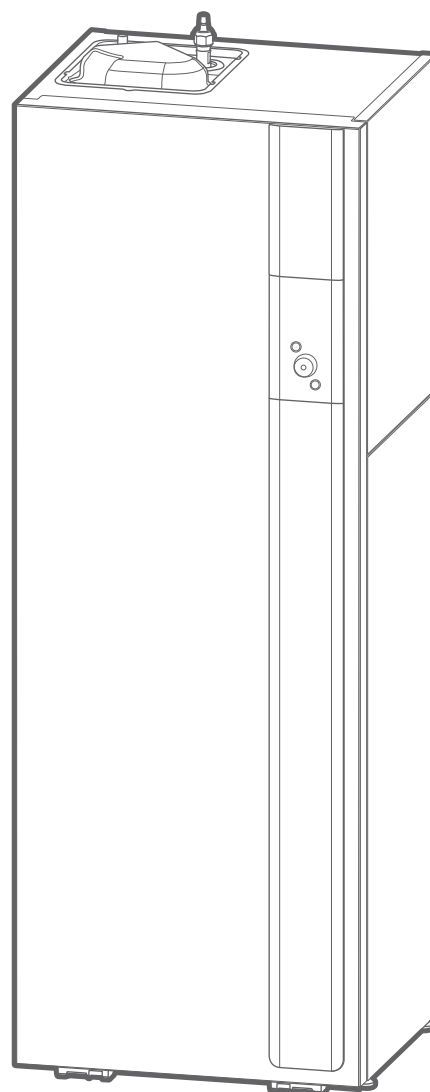
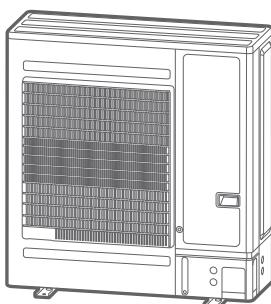
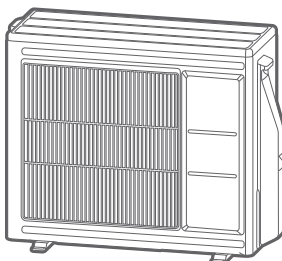
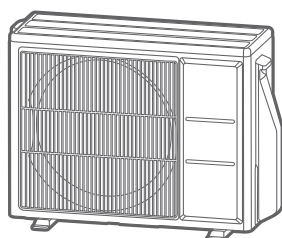


QUICK INSTALLATION

ML

# Alfea Extensa S DUO

Hydraulic unit for Split 2 services



## Outdoor unit

WOYA060KLT

WOYA080KLT

WOYA100KLT

## Hydraulic unit

024417

024418

024419

024420

024429

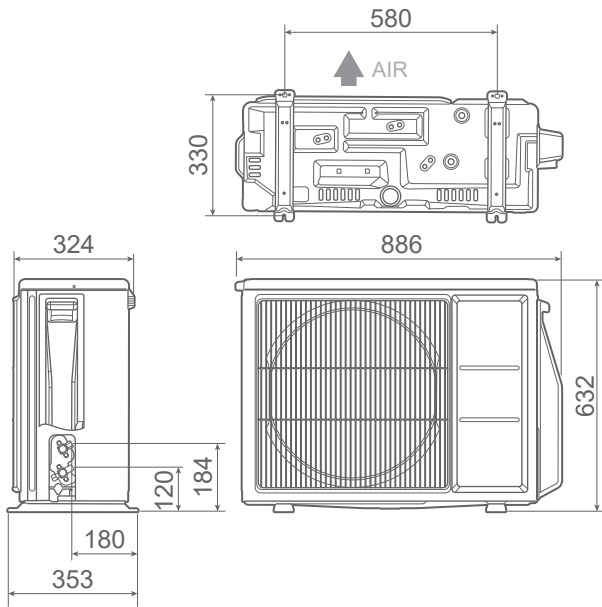


U0782631\_2725\_ML\_2  
27/08/2025

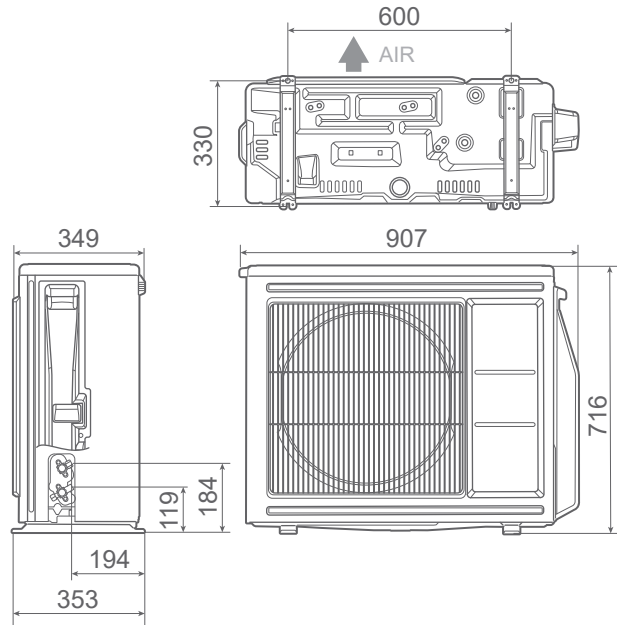
For professionals.  
To be kept by the user for future reference

■ ALFEA EXTENSA S DUO - Outdoor Unit

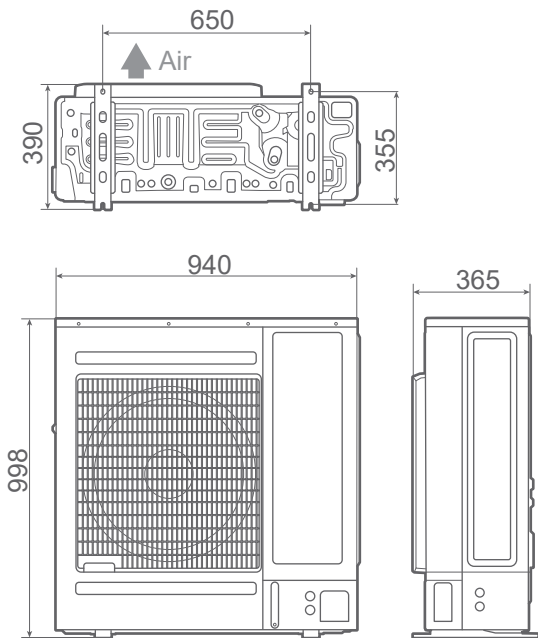
■ Models 3 - 5 - 6



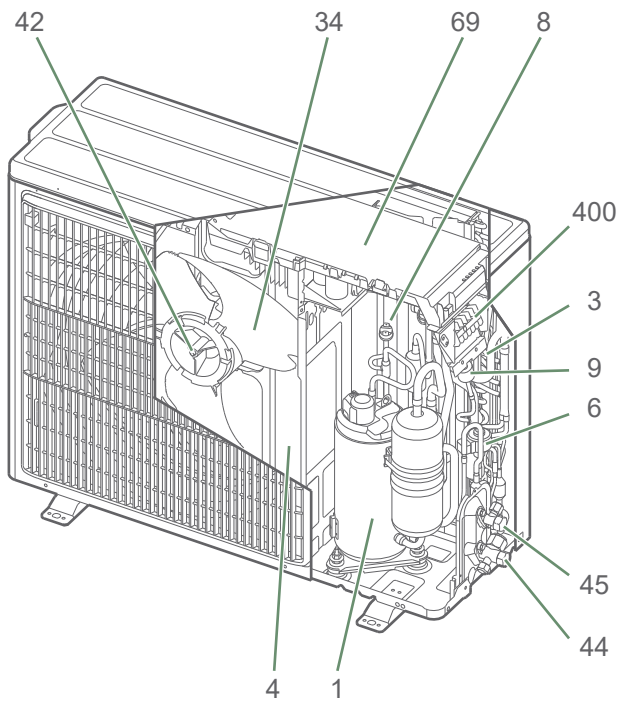
■ Model 8



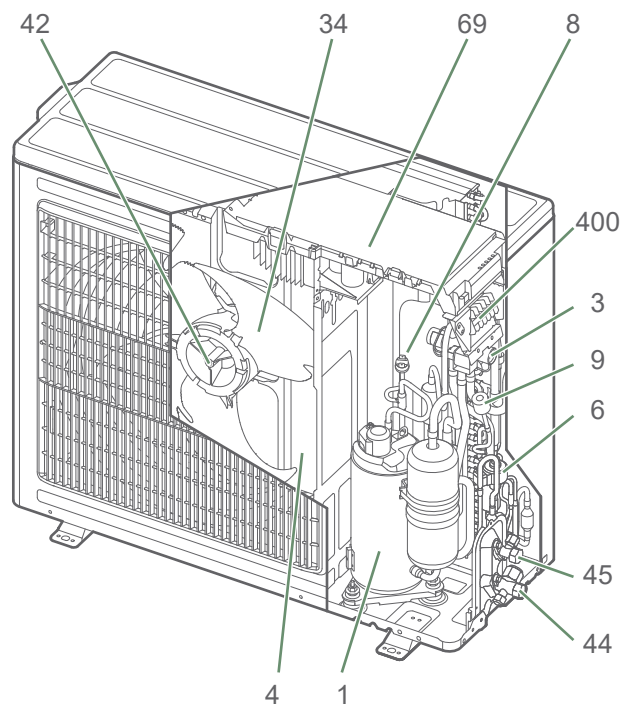
■ Model 10



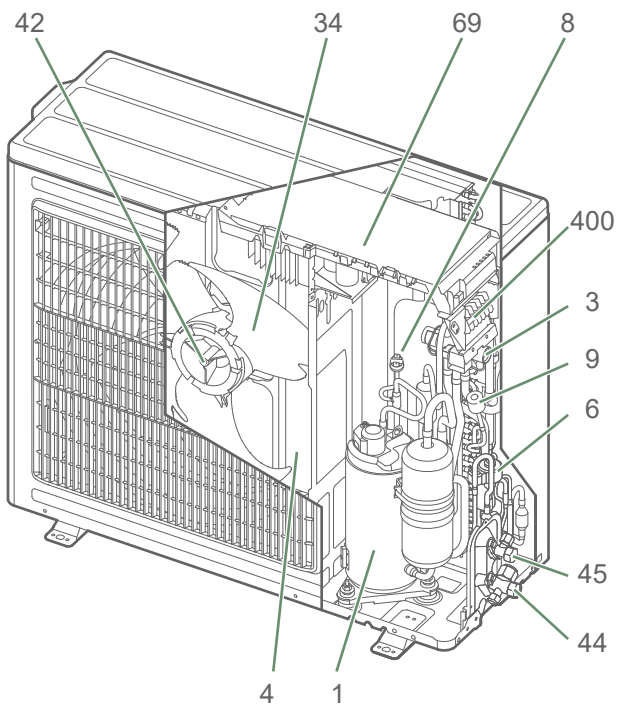
■ Models 3 - 5 - 6



■ Model 8



■ Model 10

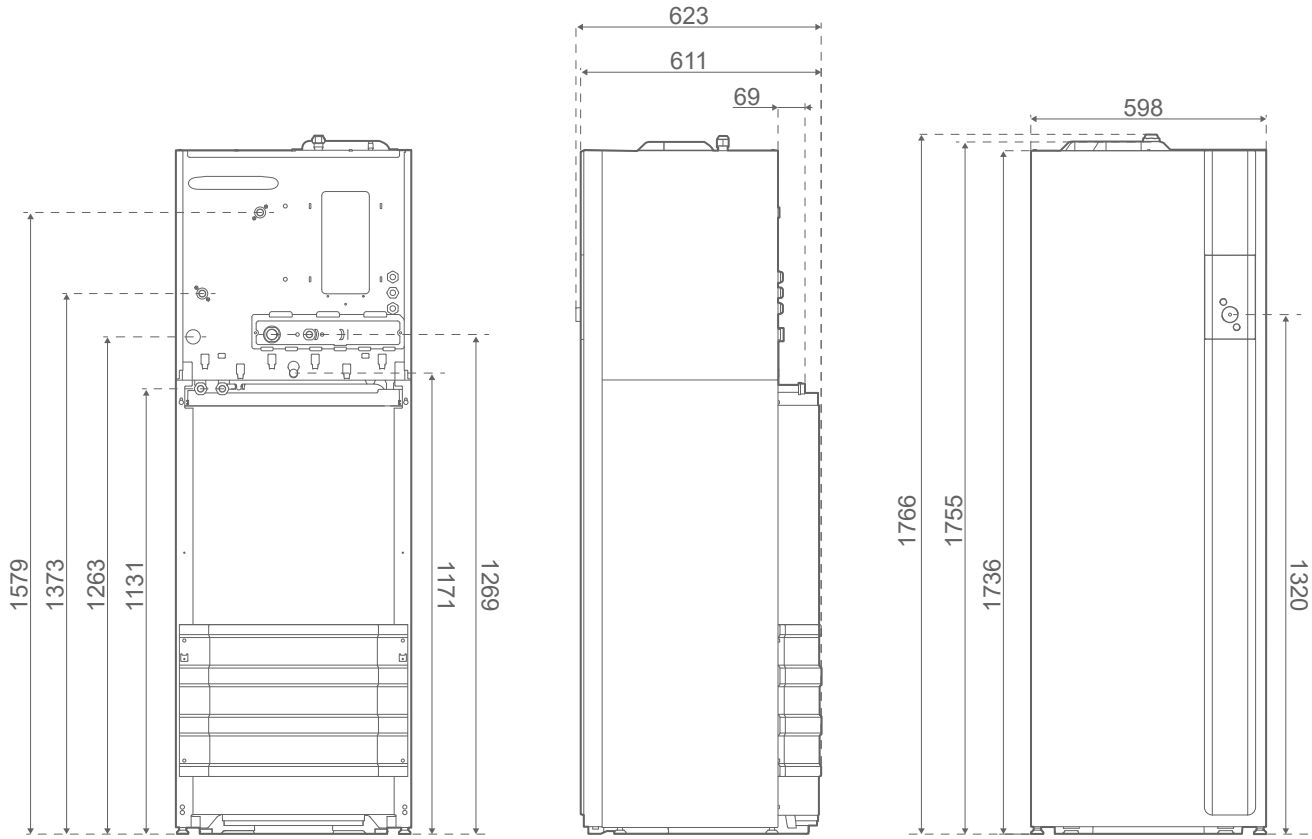


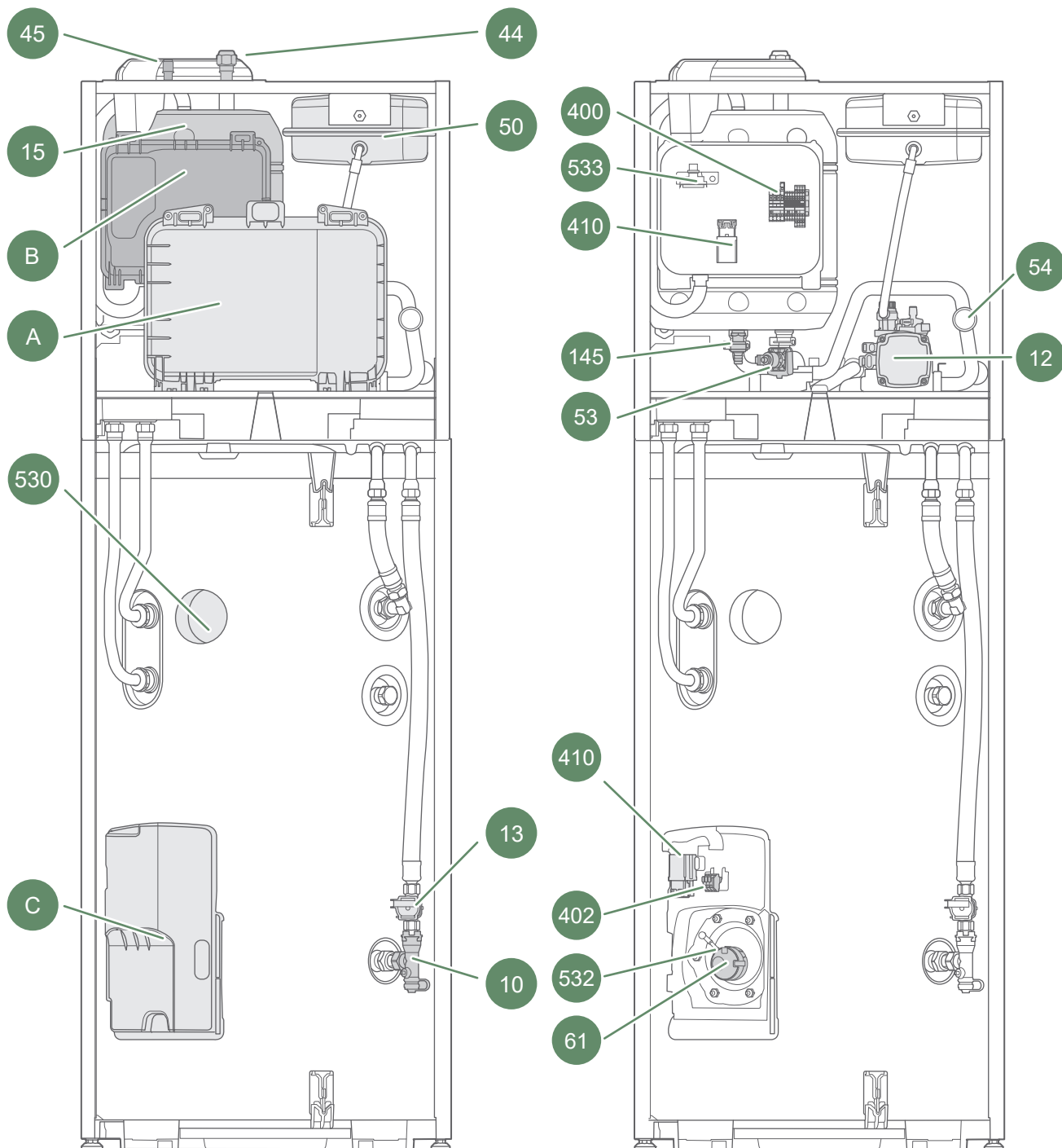
- 1 - Compressor
- 3 - 4-way valve
- 4 - Heat exchanger (Evaporator)
- 6 - Reducer (Expansion valve)

- 8 - Pressure switch (On/Off)
- 9 - Pressure sensor (Value)
- 34 - Fan
- 42 - Motor fan

- 44 - "Gas"; refrigerant fitting
- 45 - "Liquid" refrigerant fitting
- 69 - Inverter board
- 400 - Power supply terminal block

■ ALFEA EXTENSA S DUO - Hydraulic Unit





**Electric box :**

- A - Principal.
- B - Heating backup supply.
- C - DHW supply

**Sensor :**

- 530 - DHW temp. sensor.

- 10 - Valve
- 12 - Circulating pump
- 13 - Flowmeter DHW
- 15 - Heat exchanger (Condensor)
- 44 - "Gas" refrigerant connection
- 45 - "Liquid" refrigerant connection

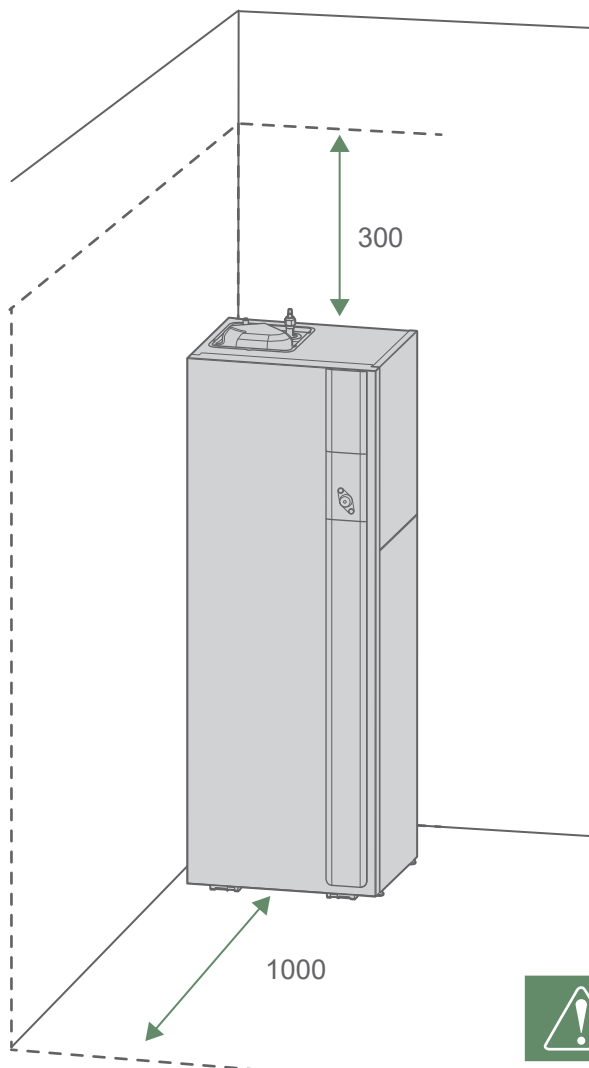
- 50 - Expansion vessel
- 53 - Directional valve
- 54 - Manometer
- 61 - DHW electrical backup
- 145 - Drain valve
- 400 - Power supply terminal blocks

- 402 - DHW terminal block
- 410 - Relay
- 532 - DHW safety thermostat
- 533 - Heat pump backup safety thermostat

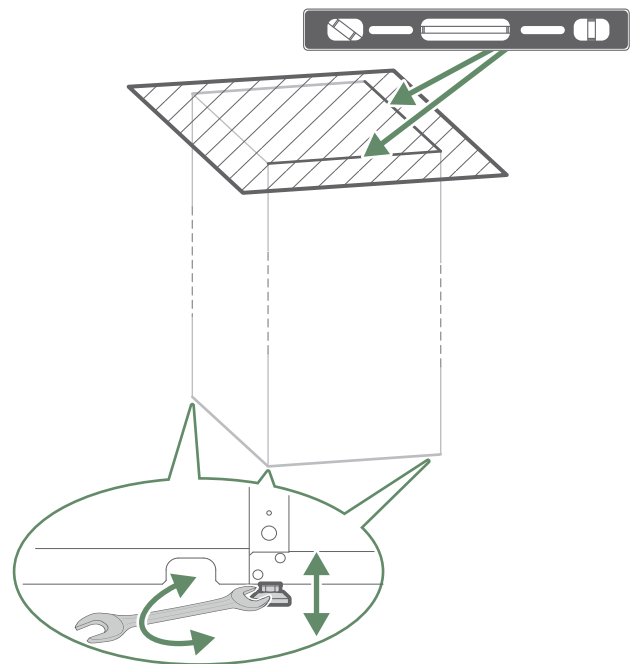
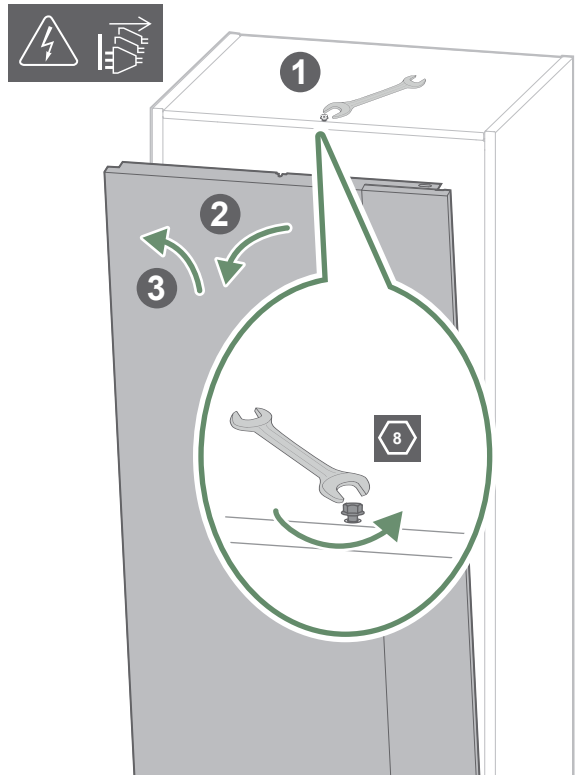


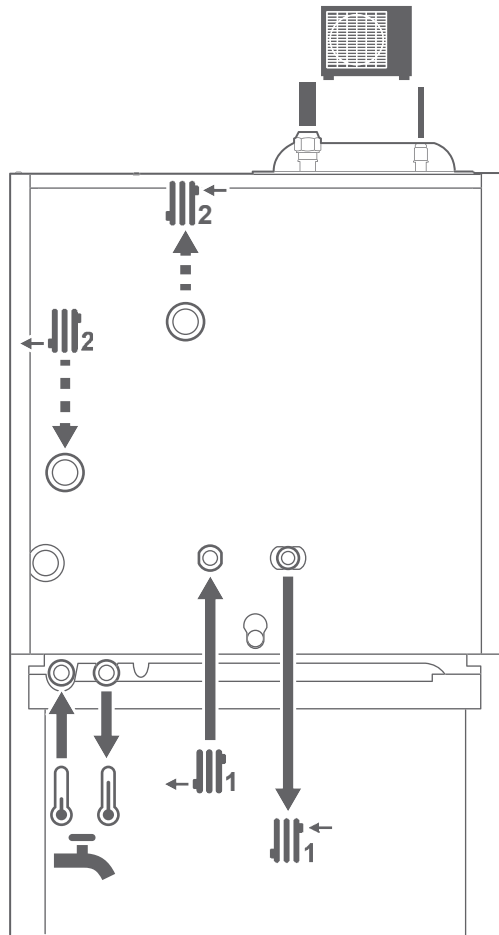
■ ALFEA EXTENSA S DUO

342 kg



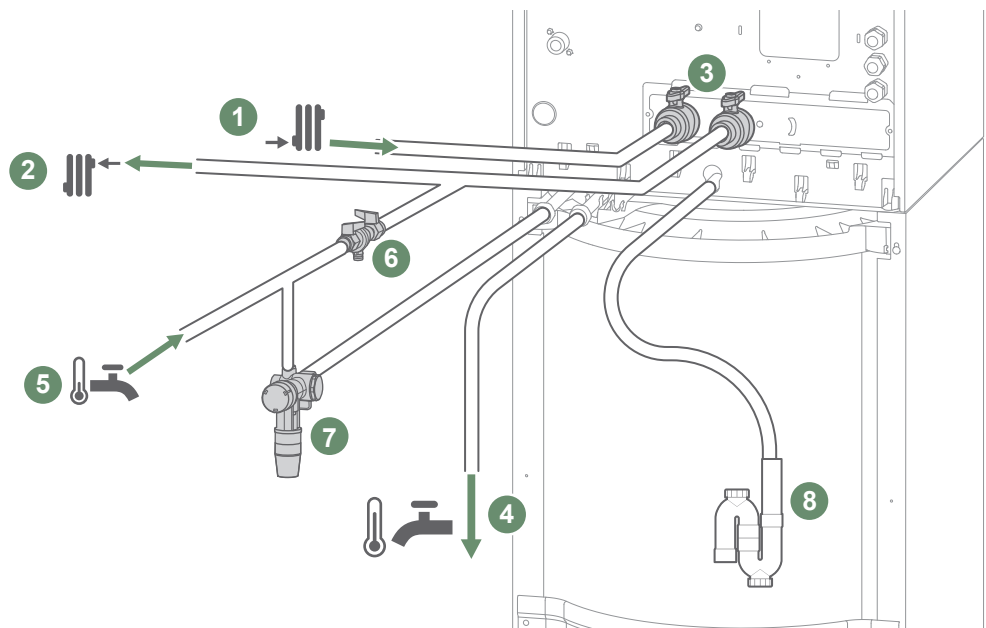
 ■ ALFEA EXTENSA S DUO 342 kg





Ø 3/4 male

Ø	Tightening torque
1/2"	25 Nm
3/4"	35 Nm
1"	45 Nm
1-1/4"	60 Nm

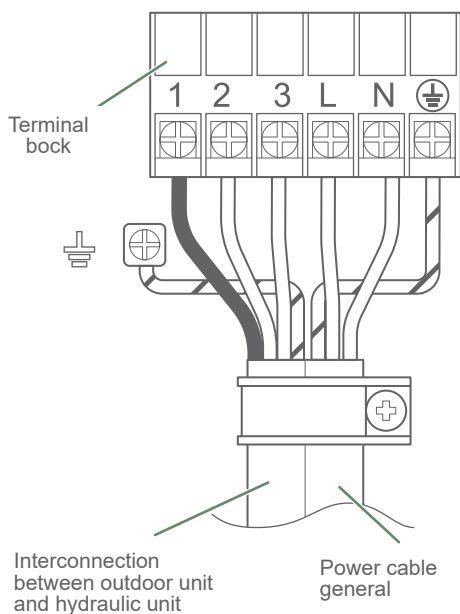


- 1 - Heating return (1 circuit).
- 2 - Heating flow (1 circuit).
- 3 - Stop valve (not supplied).
- 4 - DHW outlet (domestic hot water)

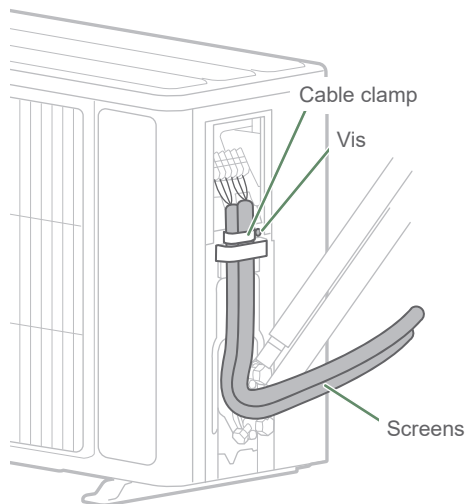
- 5 - DHW inlet (domestic cold water)
- 6 - Disconnector (not supplied).
- 7 - Safety group (required / not supplied).
- 8 - Drain pipe (sewerage).

# ALFEA EXTENSA S DUO - Outdoor Unit

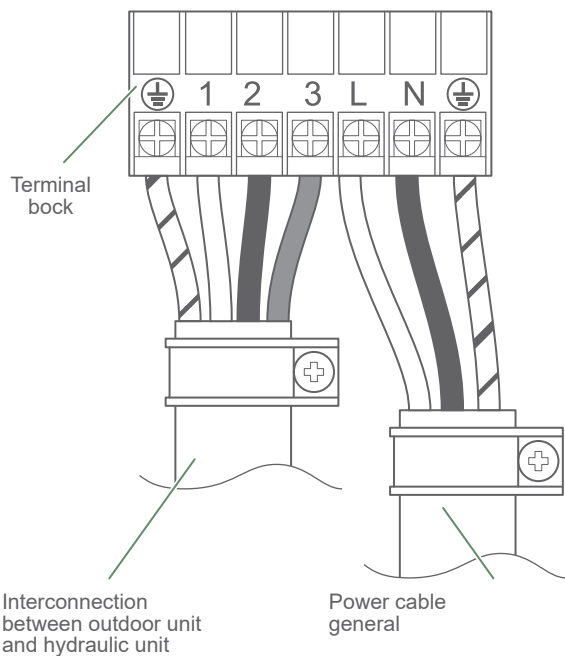
## Models 3 - 5 - 6 - 8



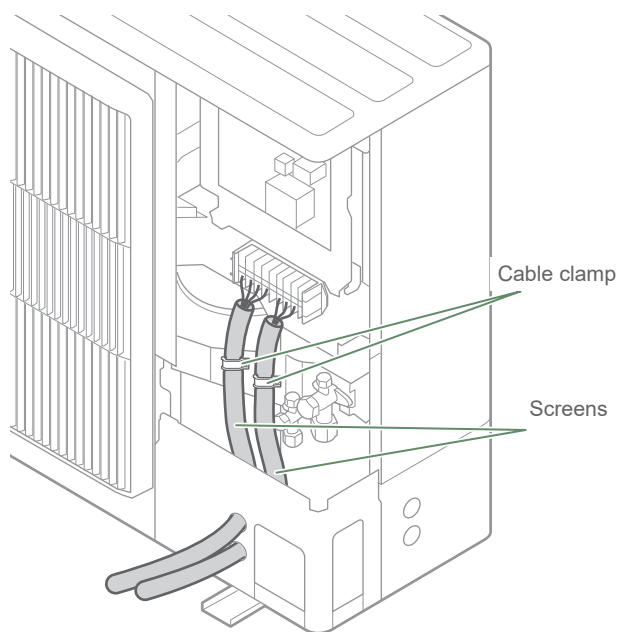
## Models 3 - 5 - 6 - 8



## Model 10



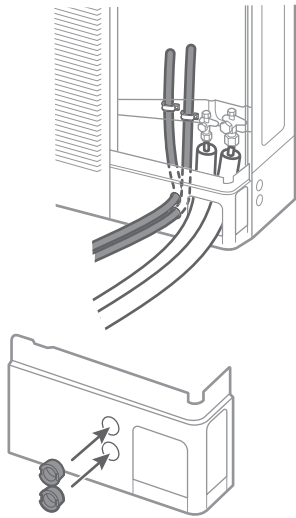
## Model 10



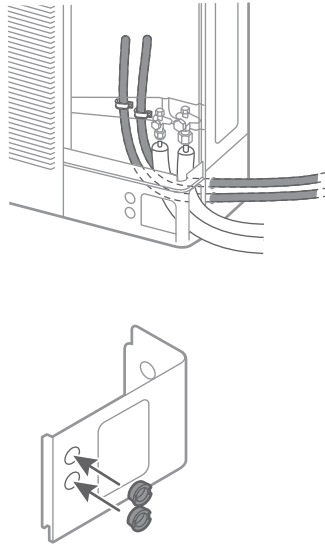




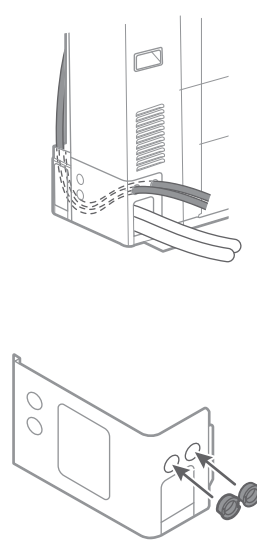
Front



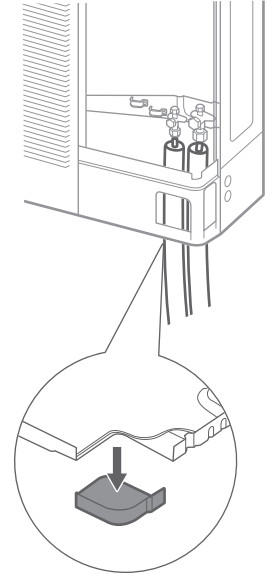
Lateral side



Behind

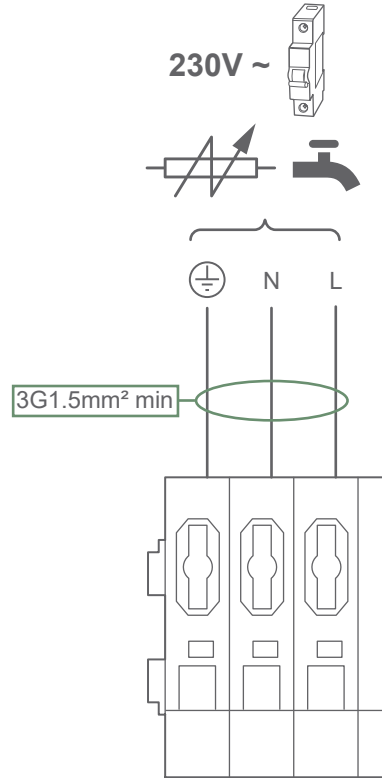
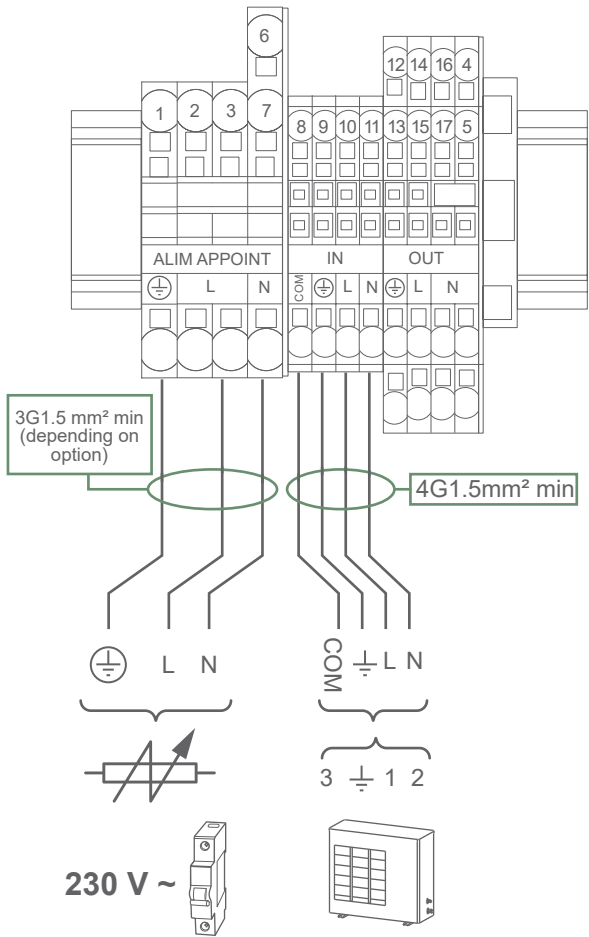


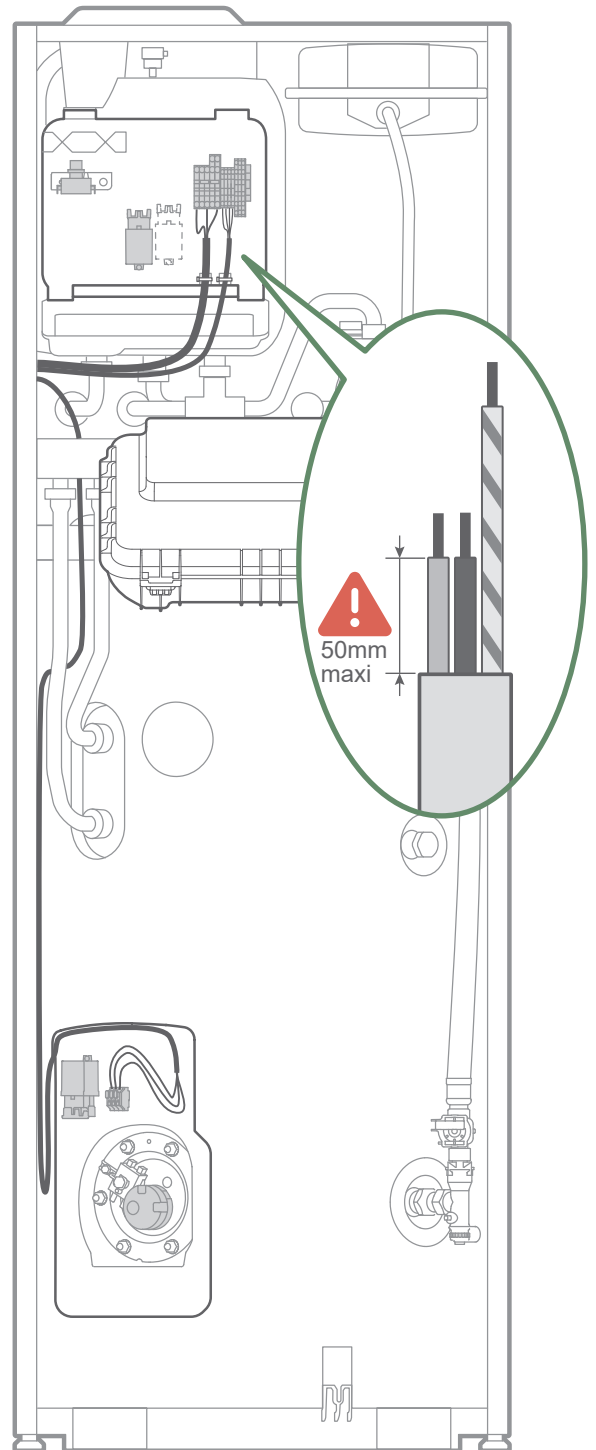
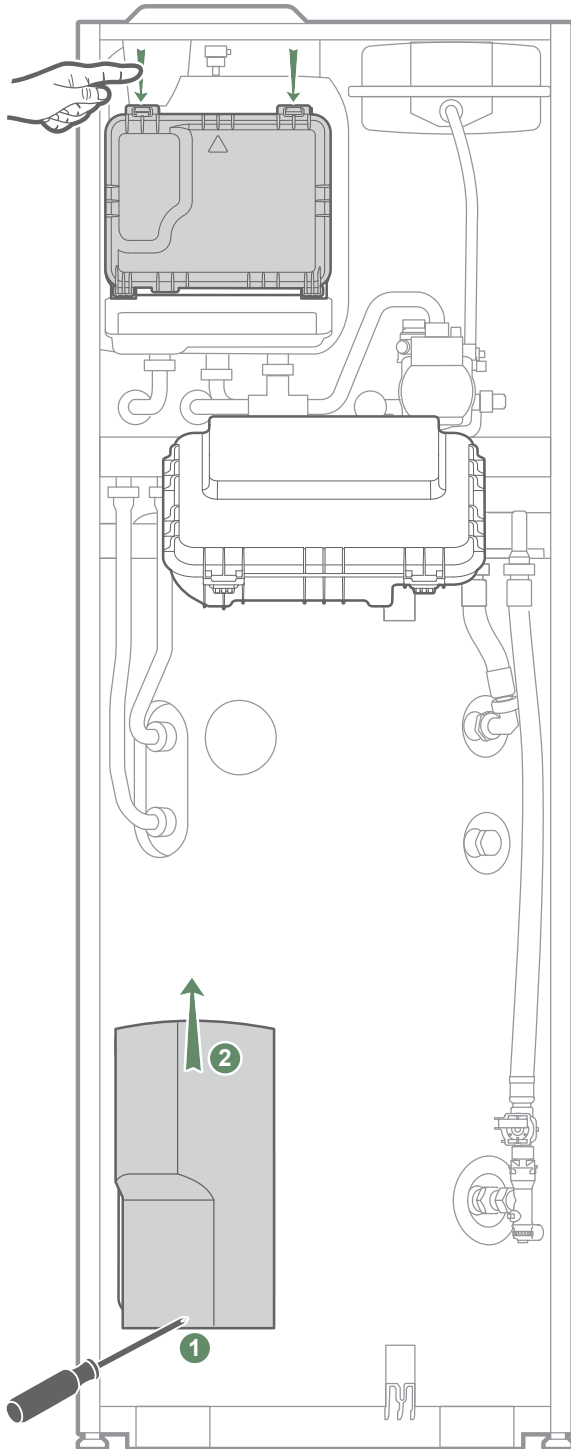
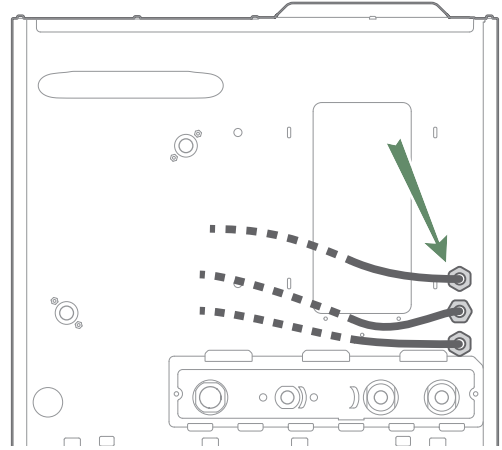
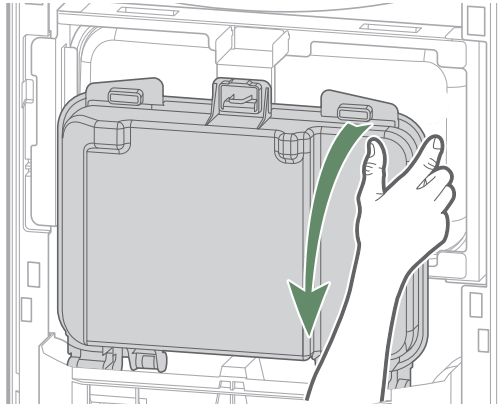
Bottom



# ALFEA EXTENSA S DUO - Hydraulic Unit

## ECS supply box terminal block





# atlantic

AMBB - SATC

Rue des fondeurs 59660 Merville - France

[www.atlantic.fr](http://www.atlantic.fr)

AMBB - SATC

Rue des fondeurs 59660 Merville - France

[atlantic-comfort.com](http://atlantic-comfort.com)

Groupe Atlantic Belgium

Oude Vijverweg, 6 - 1653 Dworp – Belgium

[www.atlantic.be](http://www.atlantic.be)

Groupe Atlantic Nederland

Landjuweel 25, 3905PE Veenendaal - Netherlands

[www.atlanticclimate.nl](http://www.atlanticclimate.nl)

Atlantic Suisse AG

Sonnenbergstrasse 9 - 6052 Hergiswil - Switzerland

[www.atlantic-suisse.ch](http://www.atlantic-suisse.ch)

Commissioning date:

Address of your heating installer or customer service.

Groupe Atlantic Poland

03-044 Warszawa ul. Płochocińska 99B - Poland

[groupe-atlantic.pl](http://groupe-atlantic.pl)

Groupe Atlantic Italia S.p.A.

Via Pana 92, 48018 Faenza (RA), Italy

[www.atlantic-comfort.it](http://www.atlantic-comfort.it)

These products comply with the following directives:

Outdoor Unit

- Low Voltage Directive 2014/35/EU
- Electromagnetic Compatibility Directive 2014/30/EU
- Machinery Directive 2006/42/EC
- Pressure Equipment Directive 2014/68/EU



Hydraulic Module

- Radio Equipment Directive 2014/53/EU

Outdoor Unit and Hydraulic Module

- Directive 2011/65/EU and applicable delegated directives on the restriction of the use of certain hazardous substances in electrical and electronic Equipment
- Ecodesign Directive 2009/125/EC and applicable implementing regulations
- Regulation (EU) 2017/1369 setting a framework for energy labeling and applicable delegated regulations

The full text of the EU Declaration of Conformity is available at the following internet address: <https://www.atlantic.fr/>



Keymark Certification :

012-SC0370-19 : Alfea Extensa S DUO 3

012-SC0366-19 : Alfea Extensa S DUO 5

012-SC0367-19 : Alfea Extensa S DUO 6

012-SC0368-19 : Alfea Extensa S DUO 8

012-SC0369-19 : Alfea Extensa S DUO 10



Points de collecte sur [www.quefairedemesdechets.fr](http://www.quefairedemesdechets.fr)